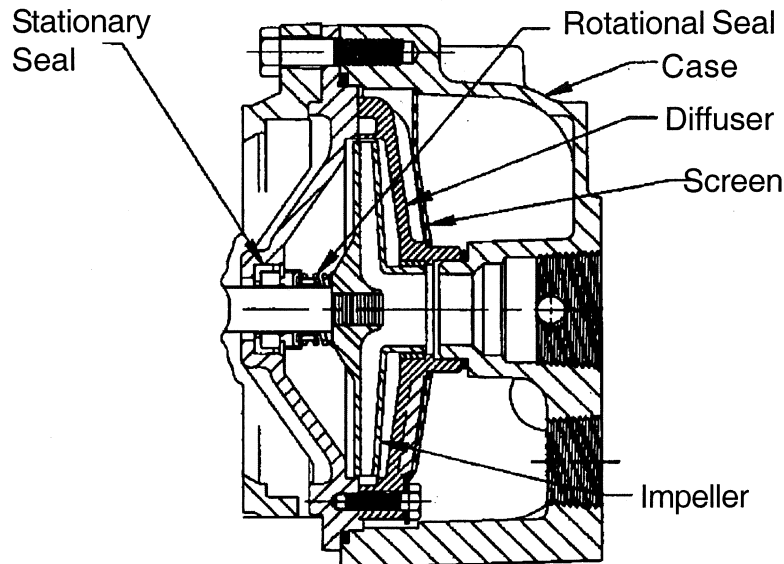


Jet Pump Repair Parts Kits Instruction Manual and Parts List



The rubber cup end of the seal is pressed into the seal bore. The white ceramic face is exposed to the inside of the pump. The ceramic face must be kept clean.

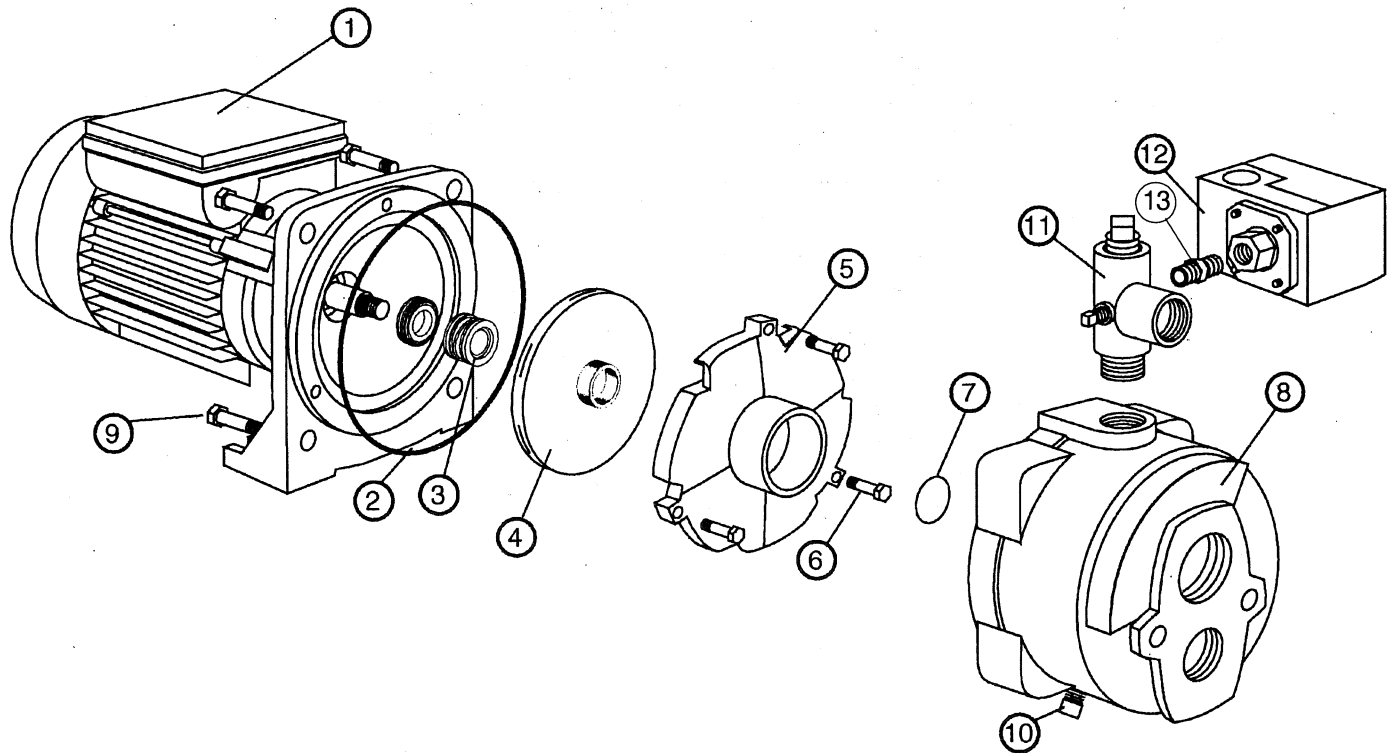
The carbon face of the rotational seal half must seat against the ceramic face of the stationary seal half. The spring should be compressed by the impeller.

1. Turn power off, and relieve water pressure.
2. Drain water by removing drain plug.
3. Remove the case (deep well jet case shown in above illustration).
4. Remove the diffuser and screen (required on HJ/HD series).
5. Remove cap from back of the motor or plastic cover to expose shaft.
6. Some shafts have flats; some have a screwdriver slot. Grab the end of the shaft and unscrew the impeller with channel lock pliers (CCW).
7. Using two screwdrivers pry out rotating part of the seal.
8. Next, pry out the ceramic stationary seal and the rubber boot.
9. Thoroughly clean the seal pocket and the shaft.
10. Press the new ceramic stationary seal into the seal pocket. This can be done by placing a clean cloth over a plastic pipe (a hole is required in the cloth to allow for the shaft). Lubricate with water.
11. Install rotational seal half; make sure the seal surfaces are clean.
12. Reinstall impeller, diffuser, screen, (venturi and nozzle for shallow well pumps) and case.

QD/RC/SDC Jet Pumps

Deep Well Parts List

1/2, 3/4 & 1 HP, 60 Hz

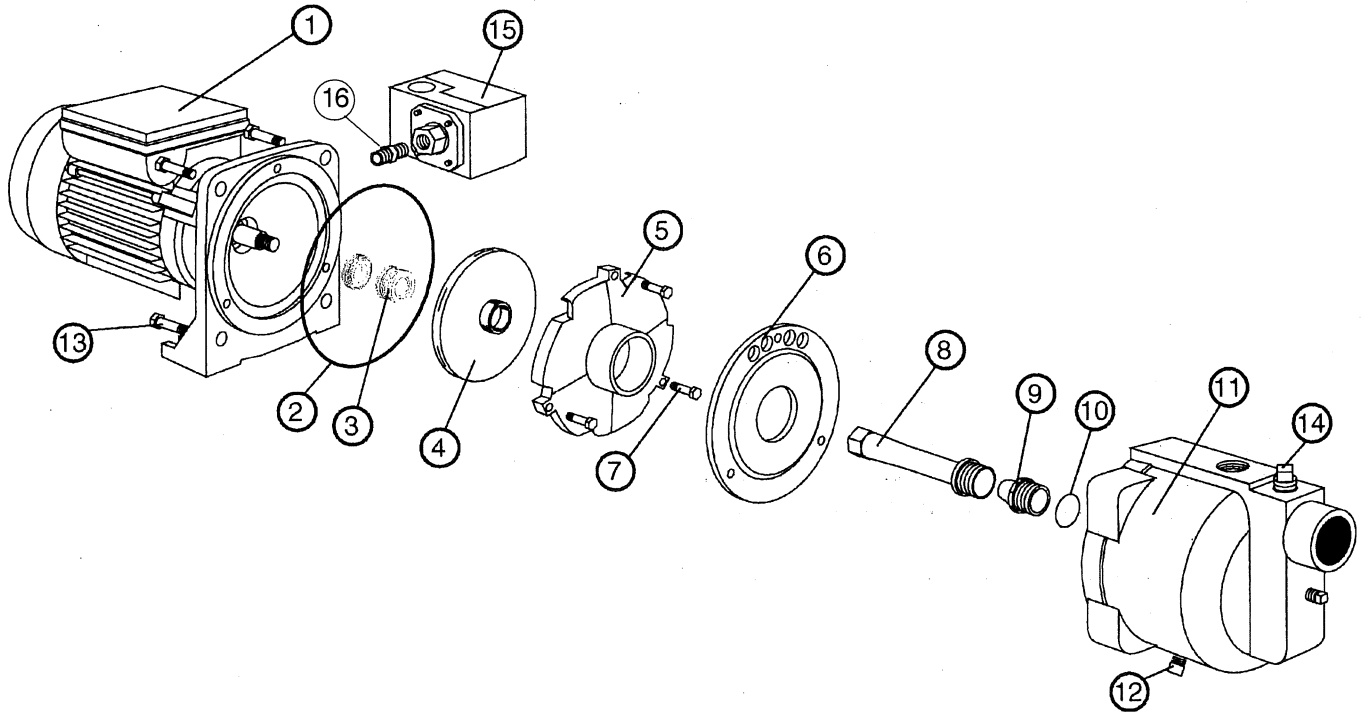


Ref. No.	Description	Part No. for 1/2 HP Units	Part No. for 3/4 HP Units	Part No. for 1 HP Units
1	Motor, with Seal Plate, 115V/230V	26635D022	26636D022	26637D022
2	Gasket	05014A157	05014A157	05014A157
3	Seal, Shaft	14525A010	14525A010	14525A010
4	Impeller, Plastic	16622B010	19196B014	19196B014
	Impeller, Brass	17682B003	19196B010	19196B010
5	Diffuser	12371B060	14379B001	14379B001
6	Screw, Cap, 1/4"-20UNC x 1" (3 req'd)	19099A012	19099A012	19099A012
7	O'Ring	05876A003	05876A003	05876A003
8	Case, Pump (QD model)	24358D100	24358D100	24358D100
8	Case, Pump (RC/SDC models)	18623D521	18623D521	18623D521
9	Screw, Cap, 3/8"-16UNC x 1" (4 req'd)	19101A009	19101A009	19101A009
10	Plug, Pipe, 1/4" NPT (3 req'd)	05022A009	05022A009	05022A009
11	Regulator, Pressure	13980A001	13980A001	13980A001
12	Switch, Pressure	15760A003	15760A003	15760A003
13	1/4" NPT Nipple	27083A000	27083A000	27083A000

QD/RTS/SDT Series Jet Pumps

Shallow Well Parts List

1/2, 3/4 & 1 HP, 60 Hz



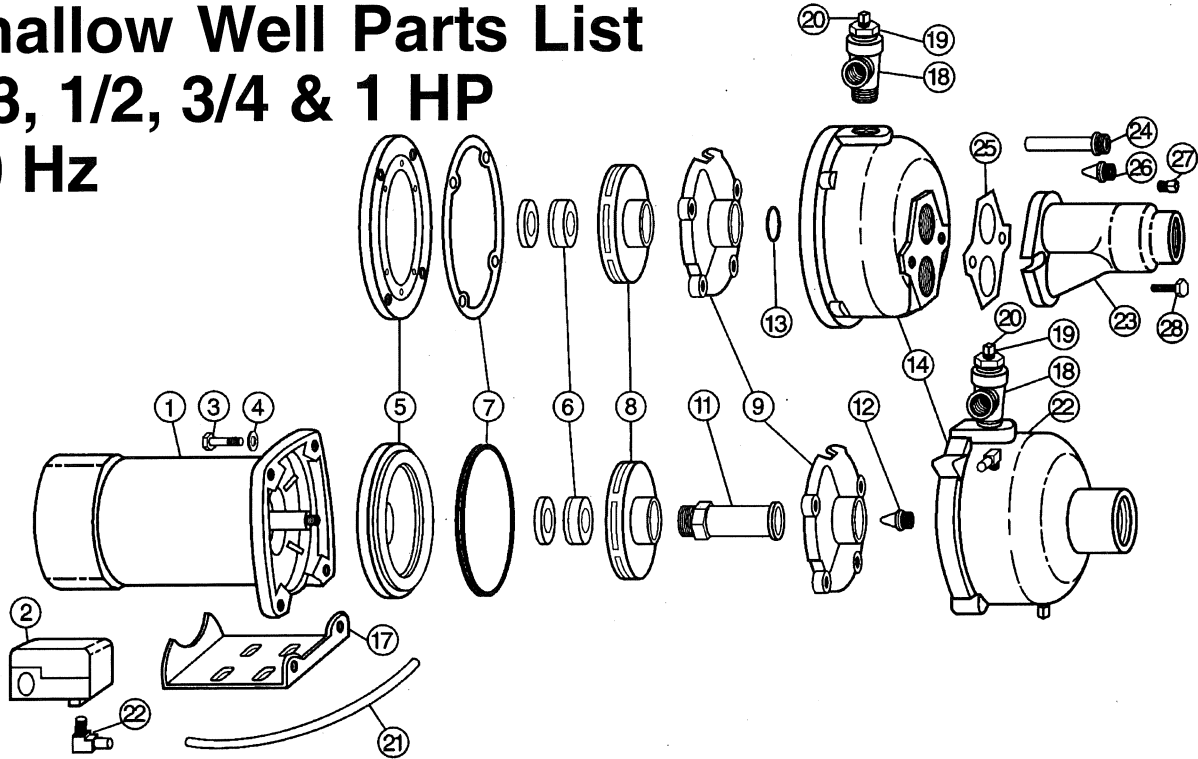
Ref. No.	Description	Part No. for 1/2 HP Units	Part No. for 3/4 HP Units	Part No. for 1 HP Units
1	Motor, with Seal Plate, 115V/230V	26635D022	26636D022	26637D022
2	Gasket	05014A157	05014A157	05014A157
3	Seal, Shaft	14525A010	14525A010	14525A010
4	Impeller, Plastic	16622B010	19196B014	19196B014
	Impeller, Brass	17682B003	19196B010	19196B010
5	Diffuser	12371B060	14379B001	14379B001
6	Plate, Priming	13069B500	13069B501	13069B501
7	Screw, Cap, 1/4"-20UNC x 1-1/2" (3 req'd)	19099A014	19099A104	19099A014
8	Venturi	26538A500	26538A560	26538A650
9	Nozzle	08546A358	08546A290	08546A290
10	O'Ring	05876A003	05876A003	05876A003
11	Case, Shallow Well	18622D550	18622D550	18622D550
12	Plug, Pipe, 1/4" NPT (2 req'd)	05022A009	05022A009	05022A009
13	Screw, Cap, 3/8"-16UNC x 1" (4 req'd)	19101A009	19101A009	19101A009
14	Plug, Pipe, 1/2" NPT	05022A039	05022A039	05022A039
15	Switch, Pressure	15760A003	15760A003	15760A003
16	1/4" NPT Nipple	27083A000	27083A000	27083A000

HT/HR Series Ejecto Pumps

Shallow Well Parts List

1/3, 1/2, 3/4 & 1 HP

60 Hz



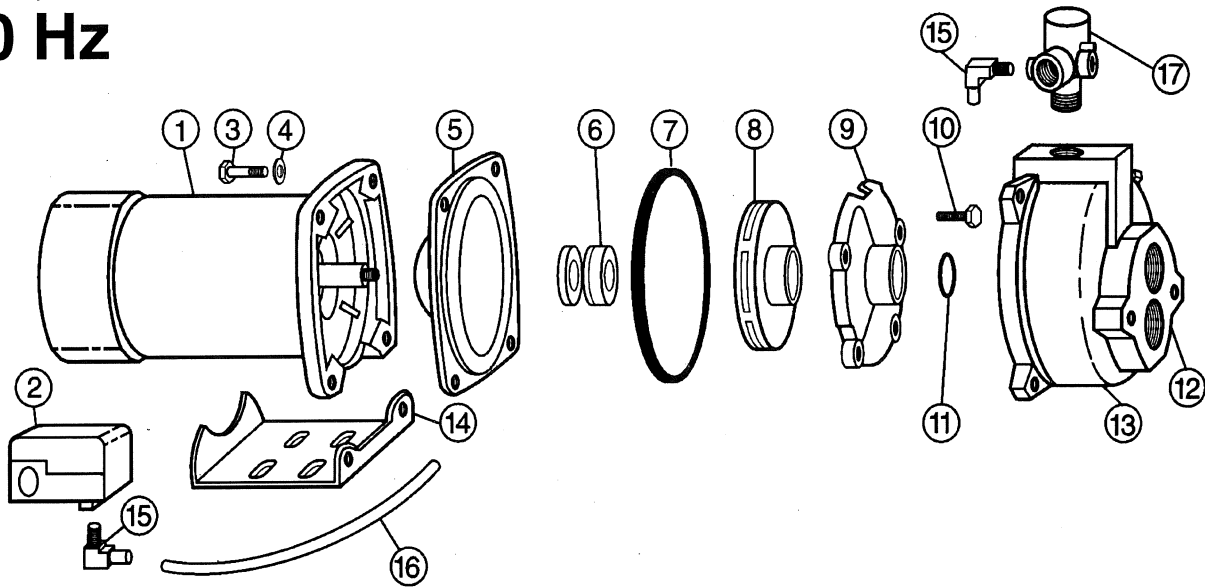
Ref. No.	Description	Part No. for 1/3 HP Units	Part No. for 1/2 HP Units	Part No. for 3/4 HP Units	Part No. for 1 HP units
1	Motor - 115/230V	24425A000	24426A000	24427A000	24428A000
2	Switch, Pressure	15760A003	15760A003	15760A003	15760A003
	Nut, Conduit Nipple	08715A000	08715A000	08715A000	08715A000
	Nipple, Conduit	15021A001	15021A001	15021A0001	15021A001
3	Screws - 4 req'd	19101A022	19101A022	19101A026	19101A026
4	Lockwasher - 4 req'd	05454A007	05454A007	05454A007	05454A007
5	Plate, Seal - Cast Iron	24452C000	24452C000	24402C004	24402C004
6	Seal, Rotary - Complete	14525A010	14525A010	14525A010	14525A010
7	Gasket	05014A157	05014A157	05014A157	05014A157
8	Impeller, Plastic	16621B010	16622B010	19195B004	---
	Impeller, Brass	17681B003	17682B003	19195B000	19196B000
9	Diffuser	12370B000	12371B000	14379B000	14380B000
10	Screws - 3 req'd	19099A023	19099A023	19099A023	19099A023
11	Venturi	25886A406	25886A406	---	---
12	Nozzle	12366A000	12366A000	---	---
13	O'Ring	---	---	05876A087	05876A087
14	Case	24357D000	24357D000	24359D000	24359D000
15	Plugs, 1/8" NPT - 2 req'd	05022A004	05022A004	---	---
16	Plugs, 1/8" NPT - 3 req'd	---	---	05022A004	05022A004
17	Stand, Motor	25383B000	25383B000	25383B000	25383B000
18	Tee	05002A001	05002A001	05002A004	05002A004
19	Bushing	05004A016	05004A016	---	---
20	Plug	05022A009	05022A009	05022A007	05022A007
21	Tube	10649A123	10649A123	10649A123	10649A123
22	Fitting, 1/4" NPT - 1 req'd	23188A002	23188A002	23188A002	23188A002
	Fitting, 1/8" NPT - 1 req'd	23188A001	23188A001	23188A001	23188A001
-	Package, Tee - (items 18-22 complete)	15285A022	15285A022	15285A022	15285A022
23	Body, Ejecto	---	---	19865D001	19865D001
24	Venturi	---	---	19199A001	19199A001
25	Gasket	---	---	19277A000	19277A000
26	Nozzle	---	---	08546A004	08546A004
27	Plug - 1 req'd	---	---	05022A004	05022A004
28	Screws - 2 req'd	---	---	19103A036	19103A036
29	Package, Ejecto - (items 23-28 complete)	---	---	15285A029	15285A030
-	Package, Boxed Ejecto - NOT SHOWN (includes foot valve assembly, cast iron)	19861C000	19862C000	19863C000	19864C000

HT/HR Series Ejecto Pumps

Deep Well Parts List

1/3, 1/2, 3/4 & 1 HP

60 Hz



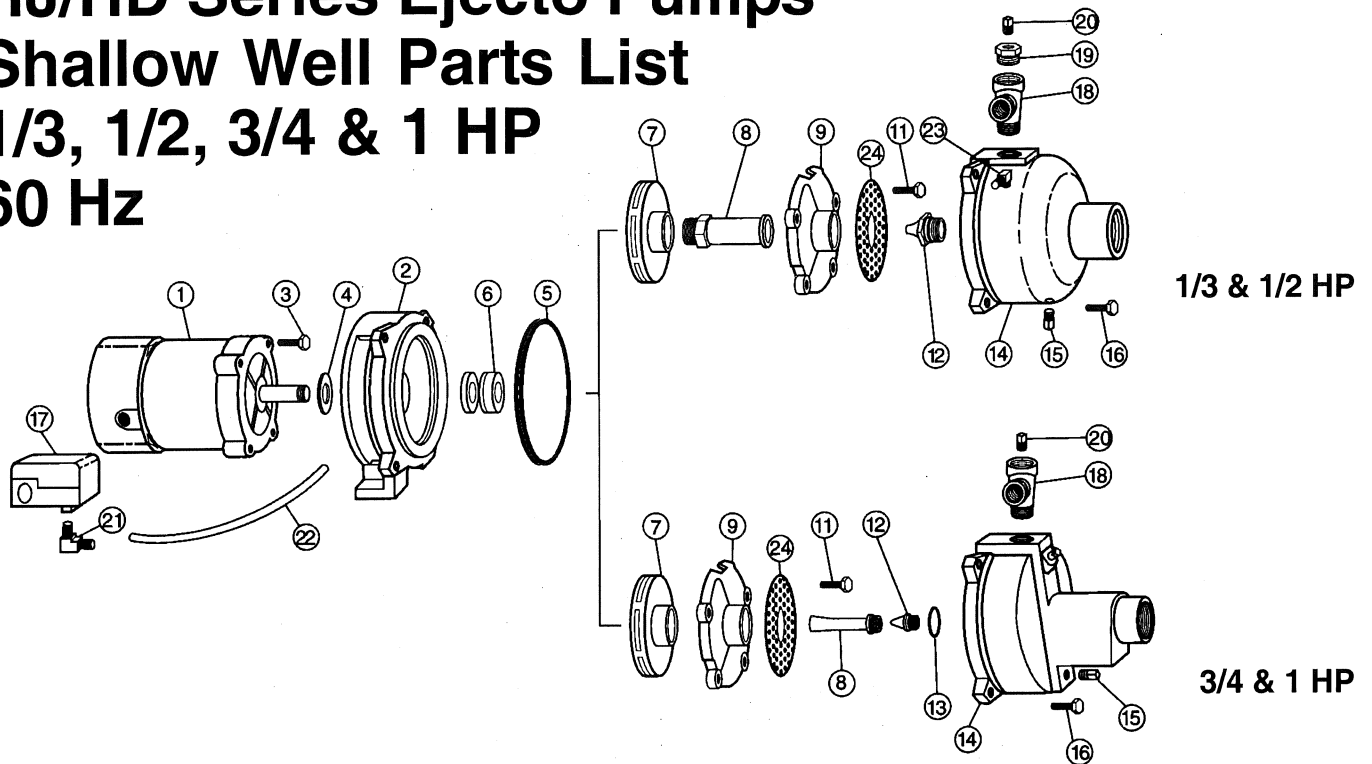
Ref. No.	Description	Part No. for 1/3 HP Units	Part No. for 1/2 HP Units	Part No. for 3/4 HP Units	Part No. for 1 HP units
1	Motor - 115/230V	24425A000	24426A000	24427A000	24428A000
2	Switch, Pressure	15760A003	15760A003	15760A003	15760A003
	Nut, Conduit Nipple	08715A000	08715A000	08715A000	08715A000
	Nipple, Conduit	15021A001	15021A001	15021A0001	15021A001
3	Screws - 4 req'd	19101A022	19101A022	19101A026	19101A026
4	Lockwasher - 4 req'd	05454A007	05454A007	05454A007	05454A007
5	Plate, Seal - Cast Iron	24452C000	24452C000	24402C004	24402C004
6	Seal, Rotary - Complete	14525A010	14525A010	14525A010	14525A010
7	Gasket	05014A157	05014A157	24404B000	24404B000
8	Impeller, Plastic	16621B010	16622B010	19195B004	---
	Impeller, Brass	17681B003	17682B003	19195B000	19196B000
9	Diffuser	12370B000	12371B000	14379B000	14380B000
10	Screws - 3 req'd	19099A023	19099A023	19099A023	19099A023
11	O'Ring	05876A003	05876A003	05876A087	05876A087
12	Case	24358D000	24358D000	24359D000	24359D000
13	Plugs, 1/8" NPT - 3 req'd	05022A004	05022A004	05022A004	05022A004
14	Stand, Motor	25383B001	25383B001	25383B001	25383B001
15	Fitting, 1/4" NPT - 2 req'd	23188A002	23188A002	23188A002	23188A002
	Fitting, 1/8" NPT - 1 req'd	23188A001	23188A001	23188A001	23188A001
16	Tube, Pressure Switch	10649A120	10649A120	10649A120	10649A120
17	Regulator (refer to section 1020/21)	24349B000	13980A001	13980A001	13980A001
18	Package, Regulator - (items 15-17 complete)	15285A014	15285A014	15285A023	15285A023

HJ/HD Series Ejecto Pumps

Shallow Well Parts List

1/3, 1/2, 3/4 & 1 HP

60 Hz

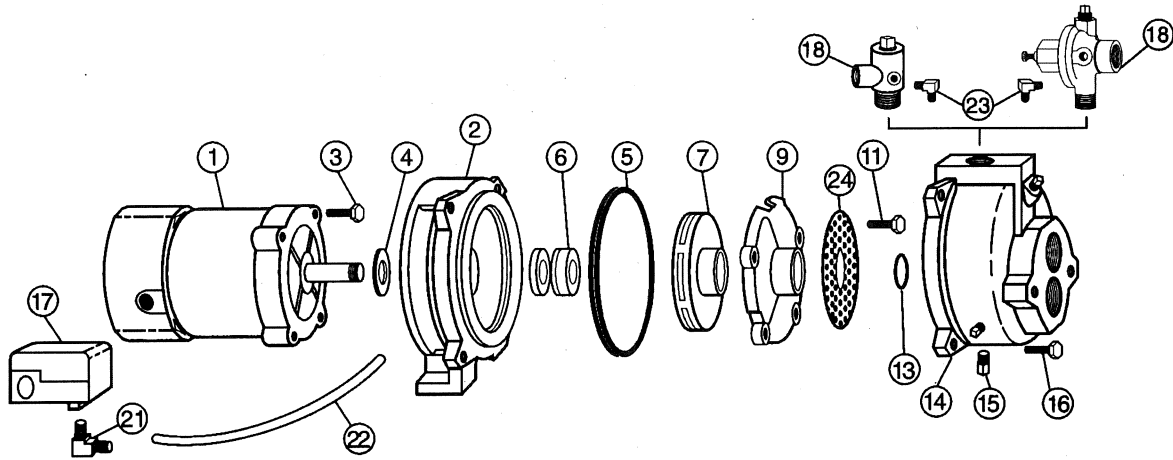


Ref. No.	Description	Part No. for 1/3 HP Units	Part No. for 1/2 HP Units	Part No. for 3/4 HP Units	Part No. for 1 HP units
1	Motor, 115V, HJ	20922A000	---	---	---
	Motor, 115/230V, HJ	20923A000	20924A000	20934A000	20935A000
	Motor, 115V, HD	14522B010	14523B010	19208B010	19209B010
	Motor, 230V, HD	17046B000	14523B010	19208B010	19209B010
2	Bracket, HJ	20936D001	20936D001	20937D001	20937D001
	Bracket, HD	19192D000	19192D001	19194D000	19194D001
	Screw, Set #10 - 24 UNC x 3/16", 2 req'd (used on HD to secure motor bearing)	05013A033	05013A033	05013A033	05013A033
3	Screw, Cap, 3/8" - 16 UNC x 7/8", 4 req'd (used on HJ)	19101A008	19101A008	19101A008	19101A008
4	Slinger	05059A318	05059A318	05059A318	05059A318
5	Gasket	05014A157	05014A157	05014A158	05014A158
6	Seal, Shaft	14525A010	14525A010	14525A010	14525A010
7	Impeller, Lexan	16621B010	16622B010	19195B004	19196B004
	Impeller, Brass	17681B003	17681B003	19195B000	19196B000
8	Venturi	25886A406	25886A500	25882A546	19199A001
9	Diffuser	12370B000	12371B000	14379B000	14380B000
11	Screw, Cap, 1/4" - 20 UNC x 1", 3 req'd	19099A012	19099A012	19099A012	19099A012
12	Nozzle	12366A001	12367A000	08546A004	08546A004
13	O-Ring	---	---	05876A087	05876A087
14	Case, Pump	18622D001	18622D001	19197D000	19197D000
15	Plug, Pipe, 1/8" NPT, 2 req'd on 1/3 & 1/2 HP units; 3 req'd on all others	05022A021	05022A021	05022A021	05022A021
	Plug, Pipe, 1/4" NPT, 2 req'd on 1/3 & 1/2 HP units; 3 req'd on all others	05022A009	05022A009	05022A009	05022A009
16	Screw, Cap, 3/8" - 16 UNC x 1-1/4", 4 req'd	19101A020	19101A020	---	---
	Screw, Cap, 7/16" - 14 UNC x 1-1/2", 4 req'd	---	---	19102A009	19102A009
17	Switch, Pressure	15760A000	15760A000	15760A000	15760A000
	Nut, Conduit Nipple	08715A000	08715A000	08715A000	08715A000
	Nipple Conduit - for units with separate nipple	15021A001	15021A001	15021A001	15021A001
18	Tee	05002A004	05002A004	05002A004	05002A004
19	Bushing	05004A035	05004A035	---	---
20	Plug, Pipe	05022A009	05022A009	05022A007	05022A007
21	Fitting, 1/4" NPT - for units with plastic tube	23188A002	23188A002	23188A002	23188A002
22	Tube - for units with plastic tube	10649A123	10649A123	10649A123	10649A123
23	Fitting, 1/8" NPT - for units with plastic tube	23188A001	23188A001	23188A001	23188A001
	Package, (includes items 18-23)	15285A025	15285A025	15285A022	15285A022
24	Screen	13069B000	13069B000	13069B002	13069B002

HJ/HD Series Ejecto Pumps

Deep Well Parts List

1/3, 1/2, 3/4 & 1 HP, 60 Hz



Ref. No.	Description	Part No. for 1/3 HP Units	Part No. for 1/2 HP Units	Part No. for 3/4 HP Units	Part No. for 1 HP units
1	Motor, 115V, HJ	20922A000	---	---	---
	Motor, 115/230V, HJ	20923A000	20924A000	20934A000	20935A000
	Motor, 115V, HD	14522B010	14523B010	19208B010	19209B010
	Motor, 230V, HD	17046B000	14523B010	19208B010	19209B010
2	Bracket, HJ	20936D001	20936D001	20937D001	20937D001
	Bracket, HD	19192D000	19192D001	19194D000	19194D001
	Screw, Set #10 - 24 UNC x 3/16", 2 req'd (used on HD to secure motor bearing)	05013A033	05013A033	05013A033	05013A033
3	Screw, Cap, 3/8" - 16 UNC x 7/8", 4 req'd (used on HJ)	19101A008	19101A008	19101A008	19101A008
4	Slinger	05059A318	05059A318	05059A318	05059A318
5	Gasket	05014A157	05014A157	05014A158	05014A158
6	Seal, Shaft	14525A010	14525A010	14525A010	14525A010
7	Impeller, Lexan	16621B010	16622B010	19195B004	19196B004
	Impeller, Brass	17681B003	17682B003	19195B000	19196B000
9	Diffuser	12370B000	12371B000	14379B000	14380B000
11	Screw, Cap, 1/4" - 20 UNC x 1", 3 req'd	19099A012	19099A012	19099A012	19099A012
13	O-Ring	05876A003	05876A003	05876A087	05876A087
14	Case, Pump	18623D000	18623D000	19198D000	19198D000
15	Plug, Pipe, 1/8" NPT, 3 req'd	05022A021	05022A021	05022A021	05022A021
	Plug, Pipe, 1/4" NPT, 3 req'd	05022A009	05022A009	05022A009	05022A009
16	Screw, Cap, 3/8" - 16 UNC x 1-1/4", 4 req'd	19101A020	19101A020	---	---
	Screw, Cap, 7/16" - 14 UNC x 1-1/2", 4 req'd	---	---	19102A009	19102A009
17	Switch, Pressure	15760A000	15760A000	15760A000	15760A000
18	Nut, Conduit Nipple	08715A000	08715A000	08715A000	08715A000
	Nipple Conduit - for units with separate nipple	15021A001	15021A001	15021A001	15021A001
	Regulator, Pressure (refer to section 1020/21)	13980A001	13980A001	15496B000	15496B000
	Regulator, Pressure, for cat. no's. with "-R" or "-1R" (refer to section 1020/21)	15495B001	15495B001	---	---
21	Fitting, 1/4" NPT - for units with plastic tube	23188A002	23188A002	23188A002	23188A002
22	Tube - for units with plastic tube	10649A120	10649A120	10649A120	10649A120
23	Fitting, 1/8" NPT - for units with plastic tube	23188A001	23188A001	23188A001	23188A001
24	Package, (includes items 18-23)	15285A014	15285A014	15285A023	15285A023
	Package, (includes items 18-23 for cat. no's. containing "-R" or "-1R")	15285A018	15285A018	---	---
	Screen	13069B000	13069B000	13069B002	13069B002

1101 Myers Parkway, Ashland, Ohio 44805-1969
419/289-1144, FAX: 419/289-6658

(Canada), 269 Trillium Drive, Kitchener, Ontario N2G 4W5
519/748-5470, FAX: 519/748-2553

1101 Myers Parkway, Ashland, Ohio 44805-1969
419/289-1144, FAX: 419/289-6658

(Canada), 269 Trillium Drive, Kitchener, Ontario N2G 4W5
519/748-5470, FAX: 519/748-2553